

Order Information

Model	Power Wattage	CCT	Power Input	Enclosure color	Options	Remark
C21BB-RE	1 = 2.5W 2 = 4.5W	1 = 3000K	1 = 90~264VAC	1 = White	N = Null	



LED Bulb

SANSI

Shanghai Sansi Electronic Engineering Co., Ltd.
Address: 1280 Shuying Road, Shanghai 201199, China
Tel: +86-21-54883434/+86-21-54885581
Email: overseas@sansitech.com
Website: www.sansi.com



Innovative,Sustainable,Committed.



LED Bulb

C21BB-RE

Introduction

It is delicate and petite. It has a milk-white enclosure, expelling the darkness with its brightness. It is a perfect combination of edges and curves, ensuring the visual effect and good heat sinking ability at the same time. With this little light, a man feels company.

Applications

- Tabel Lights, Bedrooms, Living Rooms, Shops

Certificate



Technical Parameters

Model	Power Input	Power Wattage	Lumen	Size	CCT	Light Holder	CRI	Dimming
C21BB-RE	90~264VAC	2.5W	250lm	A19	3000K	E26	80	No
C21BB-RE	90~264VAC	2.5W	250lm	A19	3000K	E27	80	No
C21BB-RE	90~264VAC	4.5W	450lm	A19	3000K	E26	80	No
C21BB-RE	90~264VAC	4.5W	450lm	A19	3000K	E27	80	No

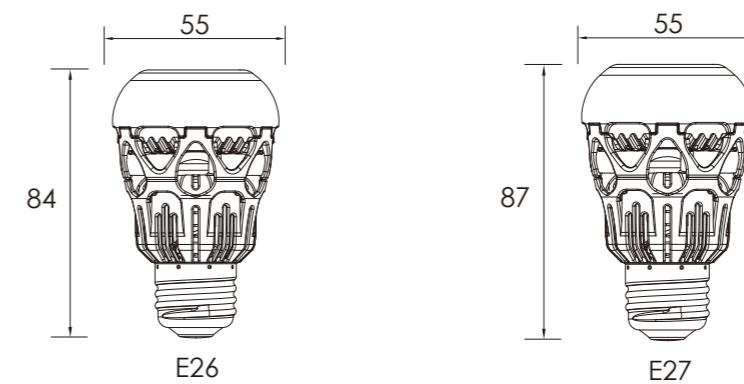
Life Time	Operating Temperature
25000 hrs to 70% lumen maintenance (at 25 °C)*	-20 °C~+45 °C

Features

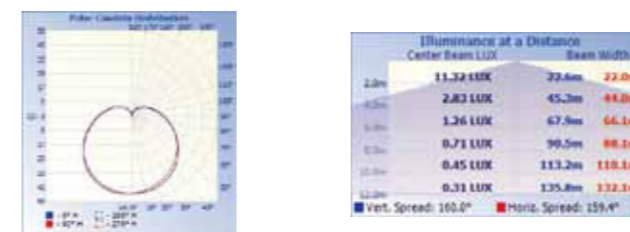
- Ceramic Heating sinking body; No PCB;
- All plastic hollow-out design of enclosure with a viewing effect and an increase of heat convection.
- High transmissivity, Optical PC Injection Molding; Flame Retardant Rating V0;
- Ceramic Heating sinking body and plastic shell are all insulation materials, safe and reliable;
- Separated light source with power source to guarantee no heat effects for a longer service life;
- High Power Factor (PF); Low Total Harmonic Distortion (THD); No light flicker; Eye-protecting;
- Environmentally Friendly.



Dimensions (mm)



Light Distribution Curve



* Based on the LM-80 testing and the TM-21 projection.